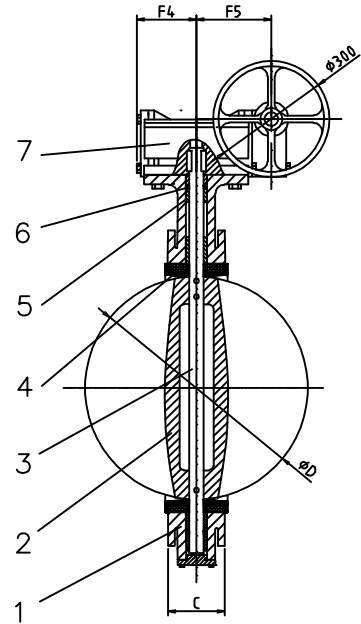
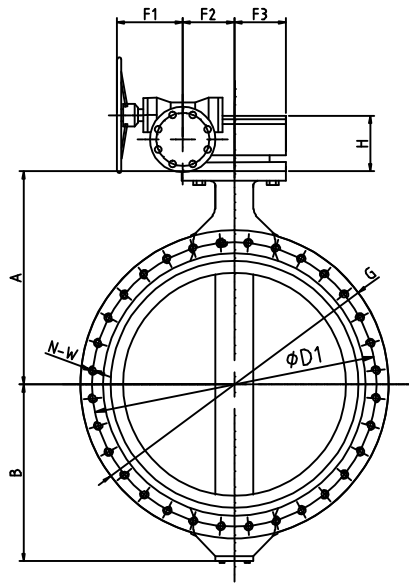
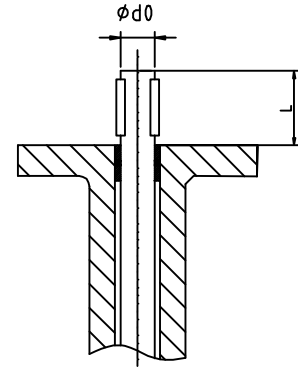
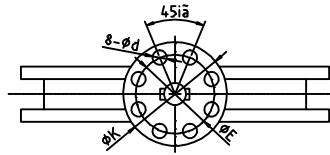


LT型蝶阀尺寸表 The list about dimension for Lug type butterfly valve	
技术规范 Technical specification	
设计标准:	GB12238-98, API600
结构长度:	GB12221, API600
Face to Face	MSS-67-1995, ANSI B16.1
法兰标准:	ANSI 150/150
Flange Standard	DIN2501 PN10/PN16
连接方式:	对夹连接
Connection Manner	Wafer Connection
检验试验:	GB13027, API598
Inspection and Test	
公称压力:	1.0Mpa, 1.6Mpa, 150Lb
Nominal Pressure	
驱动方式:	电动、气动、液动、蜗轮蜗杆式
Model of Driving	Hand, electrically-driven, air-operated and so on model of operation



序号 Item	零件名称 Parts Name	材质 Material	标准 Standard
1	阀体 Body	GG25	A126B
		GG40	A536
		WCB	A216
2	阀板 Disc	GG40	A536
		CF8	A351
		CF8M	A351
3	阀轴 Stem	SS416	A276
		SS431	A276
		SS304	A276
4	阀座 Seat	EPDM	ASTM
		NBR	D20004
		FKM	FKM
		VITON	B148034
5	衬套 Bushing	PTFE	ASTM A638
		C954	B148
6	密封圈 O-Ring	EPDM	ASTM
		NBR	D20004
		VITON	
7	齿轮箱 Gear Box	组合体 Assembling	A536 (Gear)



Dimension of Body Construction

28"	DN700	624	520	163	695	63.35	F25	100	895	165	162	189	183	244	157	300	254	8-φ18	496.8	
30"	DN750	660	539	167	745	63.35	F25	110	984	165	162	189	183	244	157	300	254	8-φ18	560.1	
36"	DN900	720	656	203	865	75	F25	118	1115	215	196	220	215	270	235	300	254	8-φ18	1143.2	
40"	DN1000	800	721	216	965	85	F25	142	1230	215	196	220	215	270	235	300	254	8-φ18	1351	
48"	DN1200	941	864	276	1180	105	F30	154	1511	215	295	214	310	458	310	350	298	8-φ22	1530	
SIZE		A	B	C	D	d0	ISO5211	L	G	F1	F2	F3	F4	F5	H	φK	φE	8-φd	Weight(Kg)	G.0

Dimension of Connection

28"	DN700	840	24-M27	840	24-M33	863.6	28-1.1/4"
30"	DN750	900	24-M30	900	24-M33	914.4	28-1.1/4"
36"	DN900	1050	28-M30	1050	28-M36	1085.8	32-1.1/2"
40"	DN1000	1160	28-M33	1170	28-M39	1200.2	36-1.1/2"
48"	DN1200	1380	32-M36	1390	32-M45	1422.4	44-1.1/2"
SIZE	φD1	N-W	φD1	N-W	φD1	N-W (UNC)	
	DIN PN10		DIN PN16		ANSI 150		